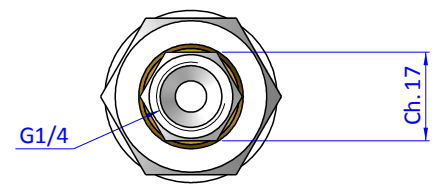
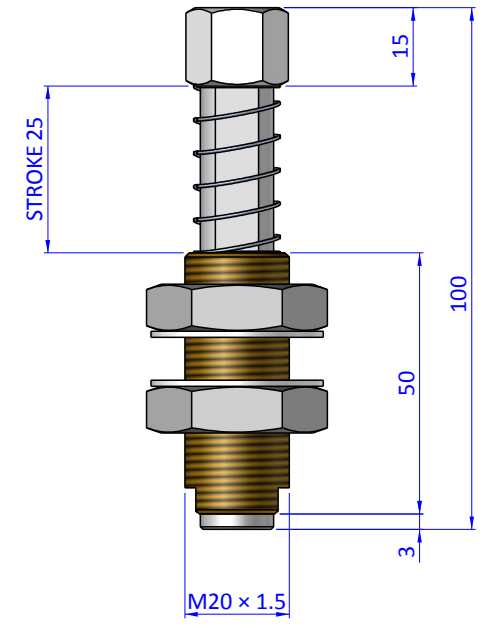
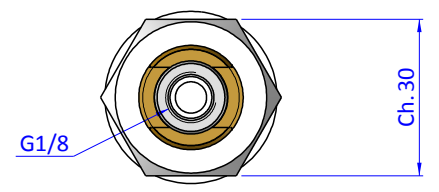
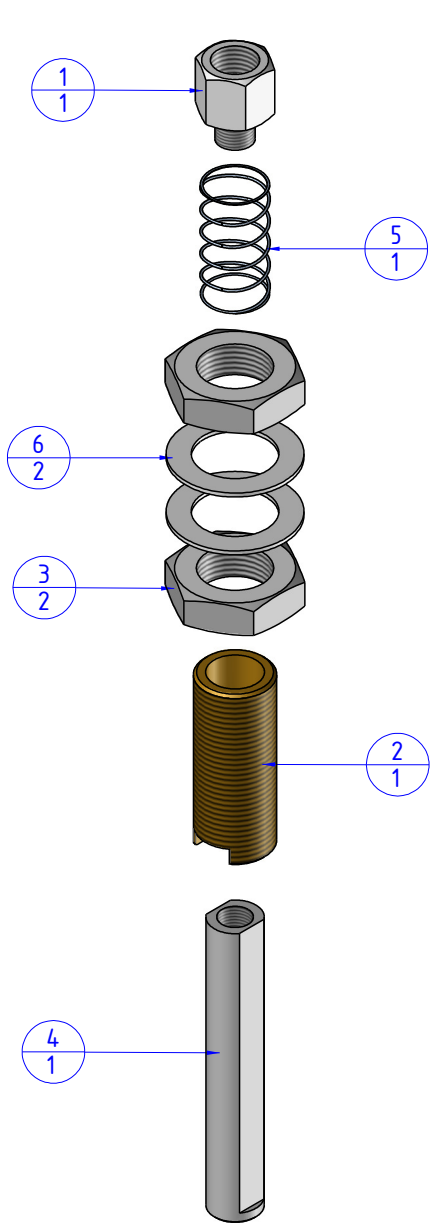


THE PROPERTY OF THE DRAWING IS ESTABLISHED BY LAW. IT IS FORBIDDEN TO PRODUCE OR SHOW IT TO THIRD PARTY, WITHOUT A WRITTEN AGREEMENT.

Item	Name	Q.ty
1	05.02.001.01	1
2	05.02.001.02	1
3	05.02.001.06	2
4	05.02.001.07	1
5	M.16x35	1
6	R.20.SCH	2



Format A3
UNI 936-76

FP SERVICES AUTOMATION		DESIGNED FROM FPSERVICES		REVIEW A
GENERAL TOLERANCE UNI - ISO 2768 CLASSE f		DATE 12/02/2019	WEIGHT 0,161kg	
		CODE CA.05.01.004		